

# PRECISION PRESSURE REGULATOR WITH CONSTANT BLEED

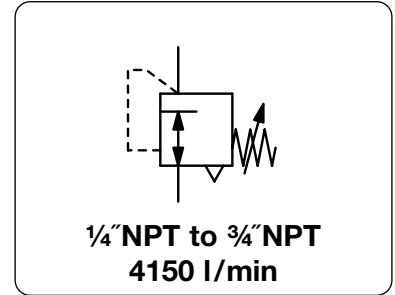
R410

**Description**

The diaphragm regulator provides high-precision regulation in high flow and high relief applications. A special diaphragm and balanced inner valve ensure constant outlet pressure even with changing supply pressure and flow fluctuations.

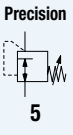
- Media** compressed air or non-corrosive gases
- Supply pressure** max. 17 bar
- Accuracy** response sensitivity: < 2 mbar
- Air consumption** max. 3 l/min depending on outlet pressure
- Relieving function** relieving, optionally non-relieving
- Relief capacity** 850 l/min at 5 bar outlet and 0.35 bar overpressure above setpoint
- Gauge port** 1/4" NPT on both sides of the body
- Mounting position** any
- Temperature range** 0 °C to 93 °C / 32 °F to 194 °F, for appropriately conditioned compressed air down to -40 °C / -40 °F
- Material** Body: Aluminium die-cast  
Elastomer: NBR  
Inner valve: stainless steel, brass and aluminium

compressed air or non-corrosive gases  
max. 17 bar  
response sensitivity: < 2 mbar  
max. 3 l/min depending on outlet pressure  
relieving, optionally non-relieving  
850 l/min at 5 bar outlet and 0.35 bar overpressure above setpoint  
1/4" NPT on both sides of the body  
any  
0 °C to 93 °C / 32 °F to 194 °F, for appropriately conditioned compressed air down to -40 °C / -40 °F  
Body: Aluminium die-cast  
Elastomer: NBR  
Inner valve: stainless steel, brass and aluminium



Dimensions			K <sub>v</sub> -Value (m³/h)	Flow rate		Connection thread NPT	Pressure range bar	Order number	D*
A	B	C		m³/h*1	l/min*1				

Precision pressure regulator							supply pressure max. 17 bar, relieving, with constant bleed	R410		
92	194	25	1.7	100	1600	1/4" NPT	0.03 ... 0.15	R410-02A	D*	
							0.03 ... 0.7	R410-02B		
							0.03 ... 2.0	R410-02C		
							0.07 ... 4.0	R410-02D		
							0.07 ... 7.0	R410-02E		
							0.15 ... 10	R410-02F		
							0.15 ... 14	R410-02G		
92	194	25	3.7	200	3300	1/2" NPT	0.03 ... 0.15	R410-04A	D*	
							0.03 ... 0.7	R410-04B		
							0.03 ... 2.0	R410-04C		
							0.07 ... 4.0	R410-04D		
							0.07 ... 7.0	R410-04E		
							0.15 ... 10	R410-04F		
							0.15 ... 14	R410-04G		
92	194	25	4.3	250	4150	3/4" NPT	0.03 ... 0.15	R410-06A	D*	
							0.03 ... 0.7	R410-06B		
							0.03 ... 2.0	R410-06C		
							0.07 ... 4.0	R410-06D		
							0.07 ... 7.0	R410-06E		
							0.15 ... 10	R410-06F		
							0.15 ... 14	R410-06G		

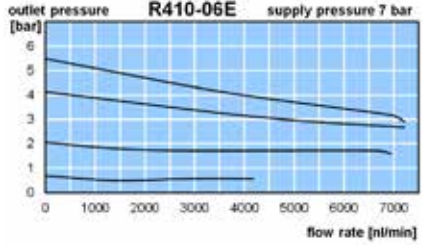
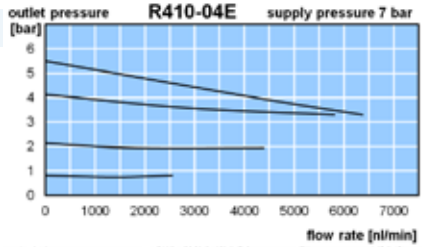
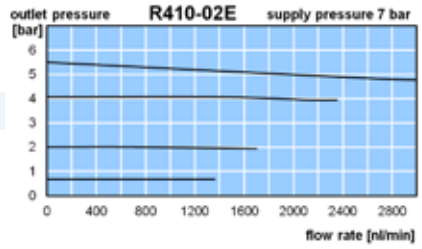
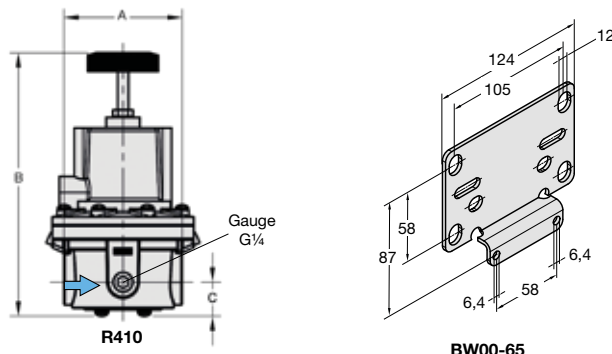


**Special options, add the appropriate letter**

- non-relieving** without constant bleed R410-0..K
- tapped exhaust** connection thread 1/4" NPT R410-0..X12
- tamper-proof-cap** of aluminium, adjustment by screwdriver, total height 295 mm R410-0..T

**Accessories, enclosed**

- pressure gauge** Ø 63 mm, 0...\*1 bar, G1/4 **MA6302-...\*1**
- gauge connectors** NPT connection thread, adapter 1/4" NPT to G1/4 female **VP-0202N**
- mounting bracket** made of steel **BW00-65**



\*1 bei 01 = 0...1 bar, 02 = 0...2,5 bar, 06 = 0...6 bar, 10 = 0...10 bar, 16 = 0...16 bar

Gauges: see chapter for measuring devices

PDF CAD  
www.aircom.net

\* Product group

Order example:  
R410-02A